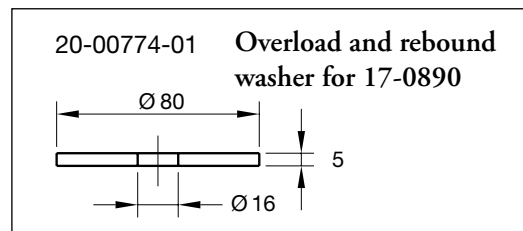
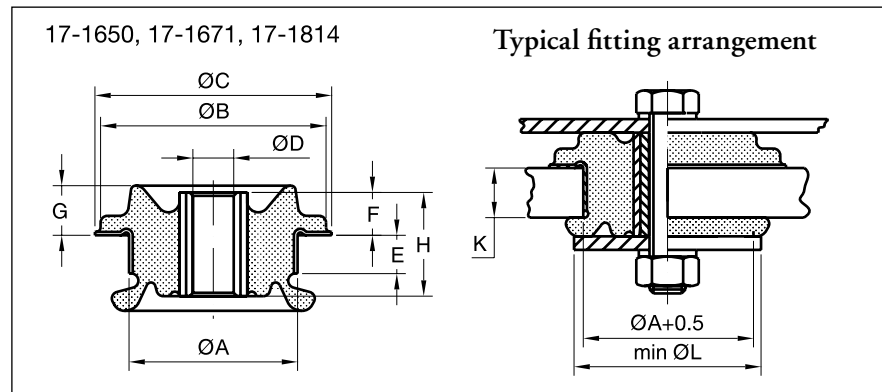
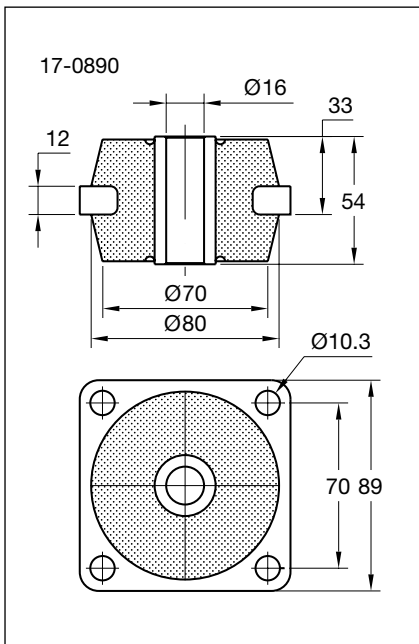
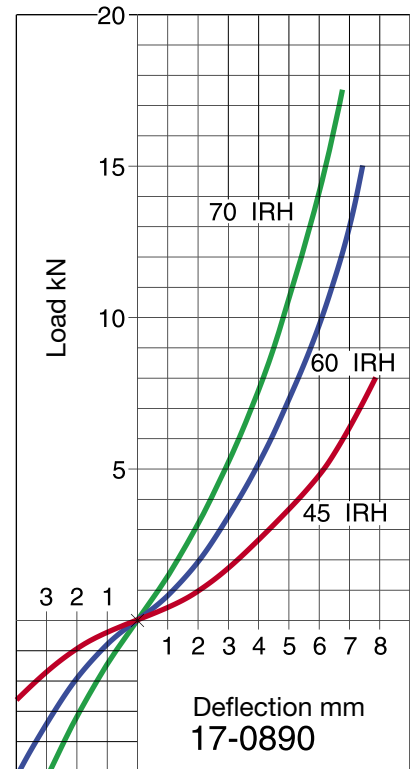


## ● Cab Mountings



### Metalastik® type Cab Mountings

Specially profiled rubber section together with bump and rebound washers provide optimum suspension characteristics for cabs on commercial vehicles, tractors and other off-road vehicles, earthmoving equipment and construction plant.



Type	Part no.	Dimensions in mm										Max load (kg)	Radial stiffness (N/mm)	Weight (kg)
Cab mountings		A	B	C	D	H	F	E	G	K	L			
17-1671-45	10-00563-01	75	100	105	16.5	46	19	17	22	20	105	160	500	0.45
17-1650-45	10-00554-01	75	100	105	16.5	46	19	17	22	20	105	300	650	0.46
17-1650-60	10-00555-01	75	100	105	16.5	46	19	17	22	20	105	500	1300	0.46
17-1814-45	10-00598-01	89	115	120	25	47	13	23	21	25	120	410	700	0.63
17-1814-60	10-00603-01	89	115	120	25	47	13	23	21	25	120	760	1400	0.63
17-0890-45	10-00440-01	See drawing										Max static deflection		0.83
17-0890-60	10-00441-01	See drawing										5 mm		0.83
17-0890-70	10-00442-01	See drawing												0.83
Washer	20-00774-01													